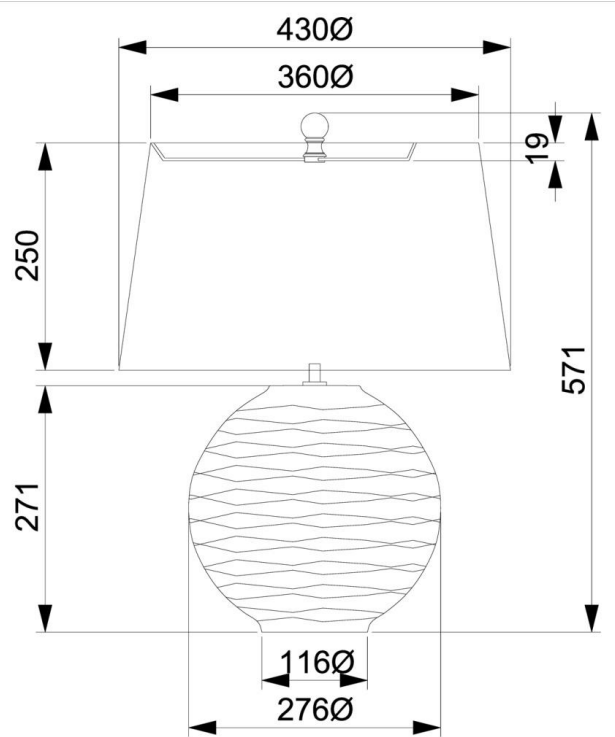


BRAND: Caesar Gold

STYLE: Ceramic table-lamp



1. Item Code complete	EL/CAESER GOLD	23. Riser other details	24mm TALL, 12mm DIAMETER
2. Item code base	LUI/CAESER GOLD	24. Shade width ( mm )	430
3. Item code shade	LS3 002	25. Shade height ( mm )	250
4. Tested?	UNKNOWN	26. Shade depth ( mm )	430
5. Final sign-off sample done?	YES	27. Shade outer material	BROWN FAUX SILK
6. Category	INDOOR	28. Shade inner material	GOLD CARD
7. Type	TABLE-LAMP	29. Finial material and finish	MILD STEEL, AGED BRASS
8. Base material & finish	CERAMIC WITH METALLIC GLAZE	30. Finial dimensions ( mm )	30 DIAMETER x 48 HIGH
9. Class	I	31. Gimbal no. of arms and finish	3 ARMS, AGED BRASS
10. Voltage	240v	32. Gimbal wire dia. and drop	3mm DIA, 19mm DROP
11. Wattage	60w	33. Sharp harp material and finish	MILD STEEL, AGED BRASS
12. Lamp Holder Type and finish	E27, AGED BRASS	34. Shade harp size ( inches )	8 ½
13. No. of lamps	1	35. Power Cable Colour & length ( mm )	GOLD, 1.7m LONG
14. Lamps supplied?	NO	36. Switch Type and location	IN-LINE, 20cm FROM BASE
15. Dimmable?	DEPENDS ON LAMP USED	37. Plug Type	3 PIN UK
16. Overall Width/Diameter ( mm )	430	38. Plug Colour	BLACK
17. Overall Height ( mm )	571	39. Product Weight ( kg )	3.72
18. Overall Depth ( mm )	430	40. Carton Dimensions ( mm )	TBC
19. Base width ( mm )	276	41. Carton Weight ( kg )	TBC
20. Base height ( mm )	271 ( as shown )	42. Carton UK code	TBC
21. Base depth ( mm )	276	43. Notes 1	BLACK FELT PAD ON BASE
22. Riser material and finish	MILD STEEL, AGED BRASS	44. Notes 2	